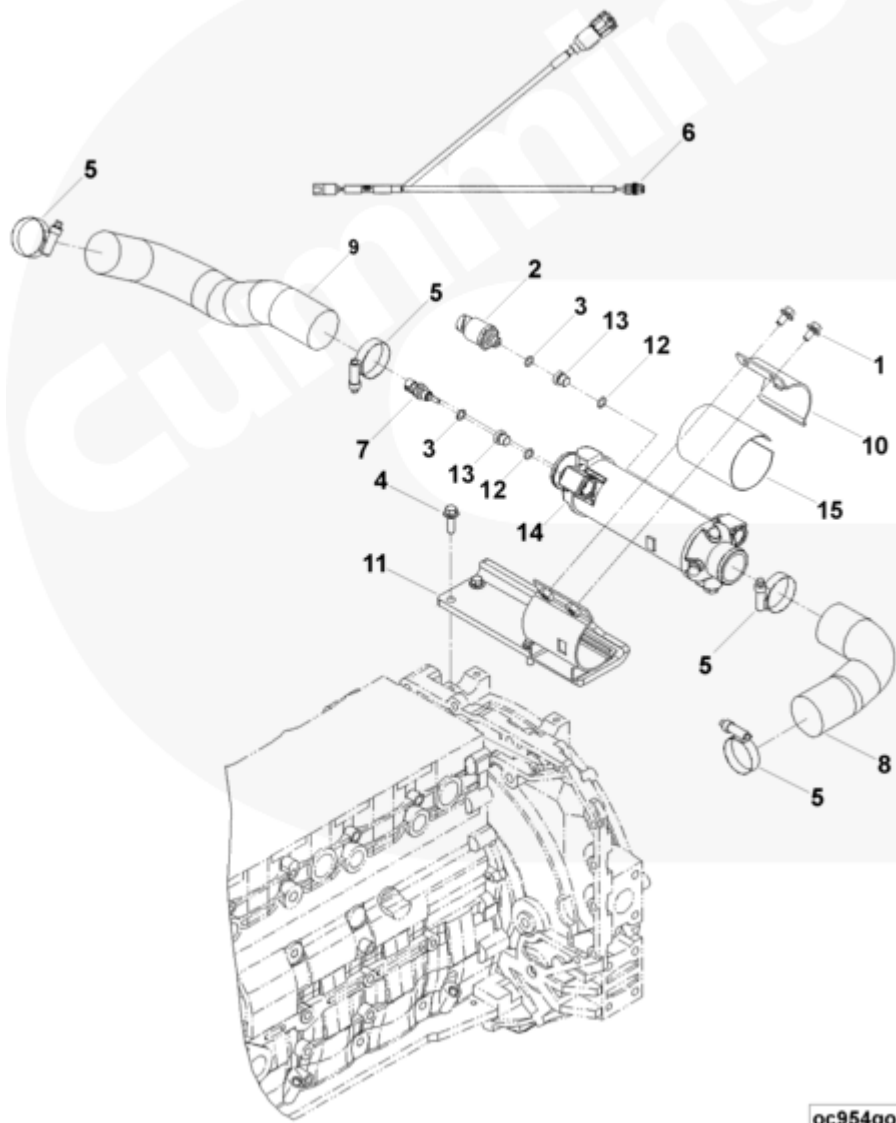




## Parts Catalog - Option Detail

Electronic Parts Catalog - Option Detail				
Option	Group	Graphic	Film Card	Date
OC9103	16.05.4	oc954go	T	22-AUG-13
<b>Engines</b>	4B3.9, 6A3.4, 6B5.9, B GAS INTERNATIONAL CM556, B4.5, B4.5 CM2350 B129B, B4.5 CM2350 B146C, B4.5 CM2350 B147B, B4.5 RGT, B4.5S, B5.9 G, B5.9 GAS PLUS CM556, B5.9 LPG, B5.9 LPG PLUS CM556, B6.7 CM2350 B121B, B6.7 CM2350 B135B, B6.7 CM2350 B136C, B6.7 CM2350 B148B, B6.7 G CMOH6.0 B125, B6.7N CM2380 B150B, B6.7S, F3.8 CM2350 F120B, F3.8 CM2350 F128C, F3.8 CM2350 F132B, F3.8 F102, G3.9, G5.9, G5.9 CM558, ISB (CHRYSLER), ISB CM2150, ISB CM2150 E, ISB CM550, ISB CM850, ISB/ISD4.5 CM2150 B119, ISB/ISD4.5 CM2150 SN, ISB/ISD6.7 CM2150 B120, ISB/ISD6.7 CM2150 SN, ISB/ISD6.7 CM2880 B126, ISB3.9 CM2220 B107, ISB4.5 CM2150, ISB5.9G CM2180, ISB6.7 2010 DCX PICKUP, ISB6.7 2013 DCX CHASSIS CAB, ISB6.7 CM2150 SQ, ISB6.7 CM2250, ISB6.7 CM2350 B101, ISB6.7 CM2350 B103, ISB6.7 CM2350 B142, ISB6.7 CM2670 B153B, ISB6.7 G CM2180 B118, ISBE CM2150, ISBE CM800, ISBE2/ISBE3 CM850, ISBE4 CM850, ISD4.5 CM2150, ISD6.7 CM2880 D101, ISF2.8 CM2220, ISF2.8 CM2220 AN, ISF2.8 CM2220 EC, ISF2.8 CM2220 ECF2, ISF2.8 CM2220 F101, ISF2.8 CM2220 F117, ISF2.8 CM2220 F122, ISF2.8 CM2220 F126, ISF2.8 CM2220 F129, ISF2.8 CM2220 IAN, ISF3.8 CM2220, ISF3.8 CM2220 AN, ISF3.8 CM2220 F103, ISF3.8 CM2220 F110, ISF3.8 CM2220 F116, ISF3.8 CM2220 F134B, ISF3.8 CM2220 IAN, ISF3.8 CM2350 F109, ISF4.5 CM2220 F123, ISG11 CM2880 G106, ISG11 CM2880 G108, ISG12 CM2880 G107, ISG12 CM2880 G109, ISG12 G CMOH6.0 G111, QSB3.9 30 CM550, QSB3.9 CM2880 B138, QSB4.5 30 CM550, QSB4.5 CM2150 B108, QSB4.5 CM2250 B131, QSB4.5 CM2250 EC, QSB4.5 CM2350 B106, QSB4.5 CM2350 B122			



SMALL | MEDIUM | LARGE

Cart	Ref No	Part Number	Part Description	Required	Remarks
View My Cart					
		OC9103	Marine Gear Oil Cooler		Marine Gear Oil Cooler...(More)
					Gear Cooler Supplier: Cummins
					Cooler Mounting Location:
					Inboard Of Aftercooler
					Gear Oil Inlet Connection
					Location:
					From Engine CL (mm): 65.0
					From CCL (mm): 337.0
					From FFOB (mm): -804.0

					Gear Oil Outlet Connection
					Location:
					From Engine CL (mm): 236.0
					From CCL (mm): 309.0
					From FFOB (mm): -933.0
					Oil Connection Size:
					M22 X 1.50 O-Ring Port Per
					ISO 9974-1
					Water Connection (mm): 50.8
					Includes Marine Gear
					Monitoring Temperature And
					Pressure Sensors.
					For Use With SAE 3 Flywheel
					Housing.
<input type="checkbox"/>	1	3093930	Hexagon Flange Head Cap Screw	2	M10 X 1.50 X 16.
<input type="checkbox"/>		3408570	Pressure Sensor	1	Marine Exhaust Gas Temp.
	2	3408571	Pressure Sensor	1	
<input type="checkbox"/>	3	4010519	O-Ring Seal	1	
<input type="checkbox"/>	4	3903112	Hexagon Flange Head Cap Screw	4	M10 X 1.50 X 30.
<input type="checkbox"/>	5	3922847	Hose Clamp	4	
<input type="checkbox"/>	6	3974592	Wiring Harness	1	
<input type="checkbox"/>	7	4954905	Temperature Sensor	1	Coolant Or Fuel Or Oil.
<input type="checkbox"/>	2	4010519	O-Ring Seal	1	
<input type="checkbox"/>	8	5270529	Molded Hose	1	
<input type="checkbox"/>	9	5270530	Molded Hose	1	
<input type="checkbox"/>	10	5311550	Oil Cooler Bracket	1	
<input type="checkbox"/>	11	5311551	Oil Cooler Bracket	1	
<input type="checkbox"/>		5314195	Oil Cooler	1	
<input type="checkbox"/>		3678921	Threaded Plug	2	M14 X 1.5 X 16

<input type="checkbox"/>	12	<a href="#">3678912</a>	O-Ring Seal	1	M14
	13	<a href="#">3678922</a>	Threaded Plug	1	M14 X 1.5 X 16
<input type="checkbox"/>	14	<a href="#">5314196</a>	Oil Cooler	1	
<input type="checkbox"/>	15	<a href="#">5314197</a>	Vibration Isolator	1	
<input type="checkbox"/>		<a href="#">3957921</a>	Zinc Electrode Plug	1	

© 2019 Cummins Inc., Box 3005, Columbus, IN 47202-3005 U.S.A.  
Terms of Use and Disclaimers | Recommended System Requirements  
Need Assistance? Please click on the Contact Us button in the top right corner of any page.